

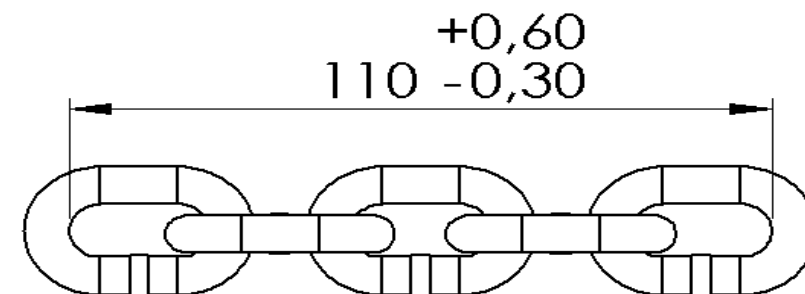
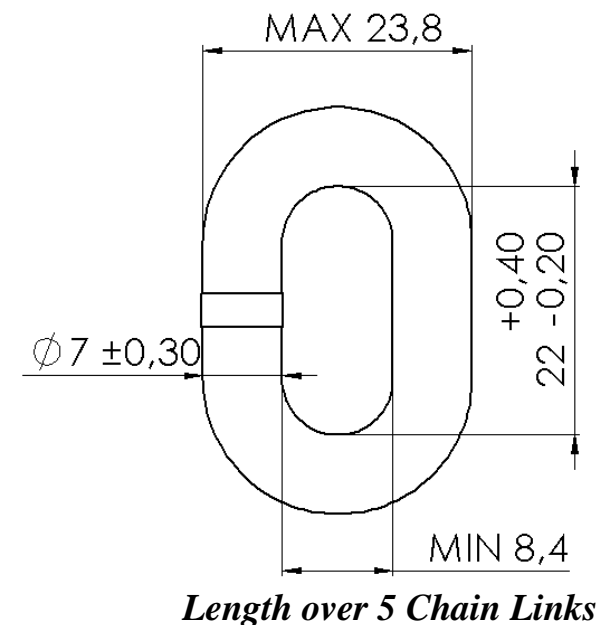
**DICHIARAZIONE DI CONFORMITA' / DECLARATION OF COMPLIANCE -In Accordance to EN 10204, Type 3.1**

Client – JIMMY GREEN MARINE LTD

DDT: 969

Date: 06/08/2020

Measurement/Misura (mm)	7 x 22 x 23,8
Code/Codice	SZD6070A34XZFMA
Material/Materiale	A34L (FE37)
Dimensions reference norm/Norma per dimensioni	CAT.DIN 766
Grade/Grado	40
Detected Breaking load /Carico di Rottura rilevato	30 kN
MF standard Proof load /Carico di Prova da tabella	16 kN
MF standard Working load /Carico di Lavoro da tabella	7 kN
Solid zinc galvanization Spacer thickness/Spessore (microns)	90±10μ



\*Delivered products are in Compliance with the requirements of your order

**ORIGIN OF GOODS: ITALY**

## CHEMICAL ANALYSIS

Method: Optical Emission Spectrometer

Material/Materiale: A34L (FE37)

Standard/Norma: UNI EN ISO 16120-2

Dimension/Dimensione: 7 x 22 x 23,8

Analisi Chimica / Chemical Analysis %											
Ele.	C	Mn	Si	P	S	Cu	Cr	Mo	Al	Ti	Ni
%	0.066	0.44	0.14	0.004	0.011	0.20	0.078	0.036	0.003		0.12
Min		0.3									
Max	0.07	0.6	0.3	0.035	0.035	0.30	0.20	0.05	0.01	0.002	0.25

Caratteristiche Meccaniche / Mechanical Properties			
Snervamento / Yield Point N/mm <sup>2</sup>	Rottura / Tensile Strength N/mm <sup>2</sup>	Allungamento / Elongation A5%	Strizione / Striction Z%
	420	39	77