

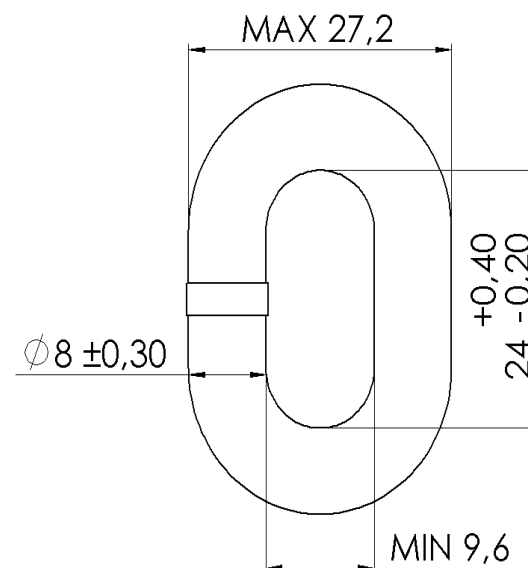
**DICHIARAZIONE DI CONFORMITA' / DECLARATION OF COMPLIANCE -In Accordance to EN 10204, Type 3.1**

*Client – JIMMY GREEN MARINE LTD*

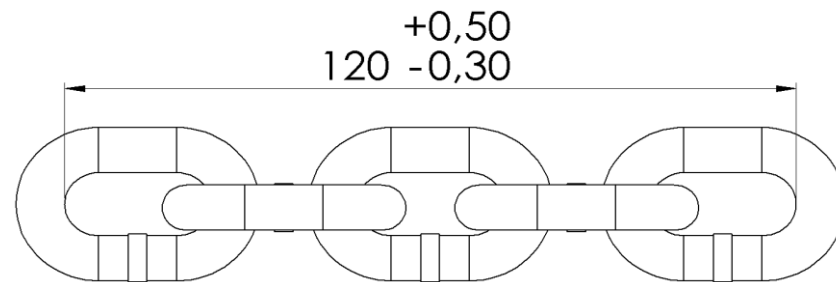
*DDT: 1453*

*Date: 27/10/2021*

<b>Measurement/Misura (mm)</b>	8 x 24 x 27,2
<b>Code/Codice</b>	SZD6080A34XZFCT
<b>Material/Materiale</b>	A34L (FE37)
<b>Grade/Grado</b>	40
<b>Standard/Norma</b>	CAT.DIN 766
<b>Breaking Load/Carico di Rottura</b>	40 kN
<b>Test Load/Carico di prova</b>	20 kN
<b>Working Load/Carico di Lavoro</b>	10 kN
<b>Solid Zinc Galvanization Spacer thickness/Spessore (microns)</b>	90±10µ



***Length over 5 Chain Links***



***\*Delivered products are in Compliance with the requirements of your order***

***ORIGIN OF GOODS: ITALY***

## *CHEMICAL ANALYSIS*

Method: Optical Emission Spectrometer

Material/Materiale: A34L (FE37)

Standard/Norma: ISO 16120-2

Dimension/Dimensione: 8 x 24 x 27,2

Analisi Chimica / Chemical Analysis %											
Ele.	C	Mn	Si	P	S	Cu	Cr	Mo	Al	Ti	Ni
%	0.07	0.43	0.16	0.008	0.02	0.18	0.08	0.05	0.01	0.001	0.12
Min		0.3									
Max	0.07	0.6	0.3	0.035	0.035	0.30	0.20	0.05	0.01	0.002	0.25

Caratteristiche Meccaniche / Mechanical Properties			
Snervamento / Yield Point N/mm <sup>2</sup>	Rottura / Tensile Strength N/mm <sup>2</sup>	Allungamento / Elongation A5%	Strizione / Striction Z%
	410	35	77

*QC Manager*