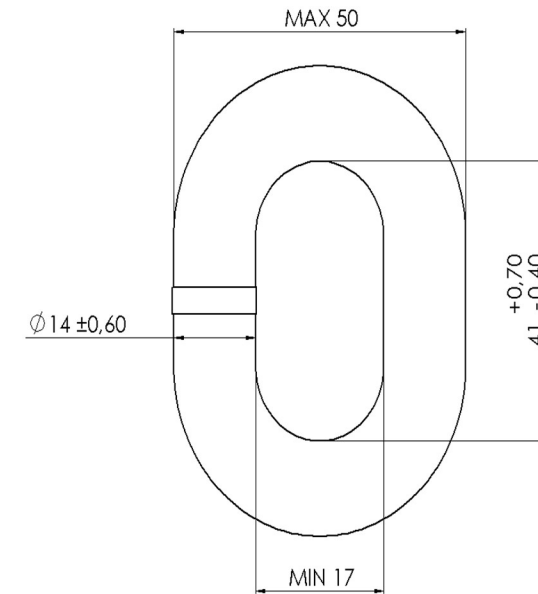


**DICHIARAZIONE DI CONFORMITA' / DECLARATION OF COMPLIANCE -In Accordance to EN 10204, Type 3.1**

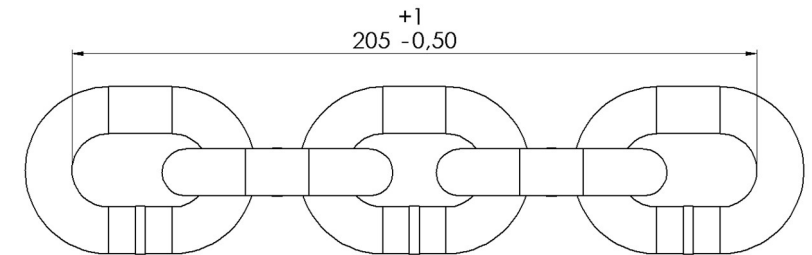
Client –

Date:

<b>Measurement/Misura (mm)</b>	14 x 41 x 50
<b>Code/Codice</b>	CTD6140A34XZFCT
<b>Material/Materiale</b>	A34L (Fe37)
<b>Grade/grado</b>	40
<b>Standard/Norma</b>	CAT.DIN 766
<b>Breaking Load/Carico di Rottura</b>	125 kN
<b>Test Load/Carico di prova</b>	50 kN
<b>Working Load/Carico di Lavoro</b>	25 kN
<b>Hot-Dip Galvanization/Zincata Fuoco Spacer thickness/Spessore (microns)</b>	80±10μ



**Length over 5 Chain Links**



***\*Delivered products are in Compliance with the requirements of your order***

***ORIGIN OF GOODS: ITALY***

## CHEMICAL ANALYSIS

Method: Optical Emission Spectrometer

Material/Materiale: A34L (Fe37)

Standard/Norma: ISO 16120-2

Dimension/Dimensione: 14 x 41 x 50

Analisi Chimica / Chemical Analysis %											
Ele.	C	Mn	Si	P	S	Cu	Cr	Mo	Al	Ti	Ni
%	0.068	0.44	0.15	0.007	0.010	0.16	0.085	0.04	0.003	0.001	0.13
Min		0.3									
Max	0.07	0.6	0.3	0.035	0.035	0.30	0.20	0.05	0.01	0.002	0.25

Caratteristiche Meccaniche / Mechanical Properties			
Snervamento / Yield Point N/mm <sup>2</sup>	Rottura / Tensile Strength N/mm <sup>2</sup>	Allungamento / Elongation A5%	Strizione / Striction Z%
315	418	38	77