

**DICHIARAZIONE DI CONFORMITA' / DECLARATION OF COMPLIANCE -In Accordance to EN 10204, Type 3.1**

Client – JIMMY GREEN MARINE LTD

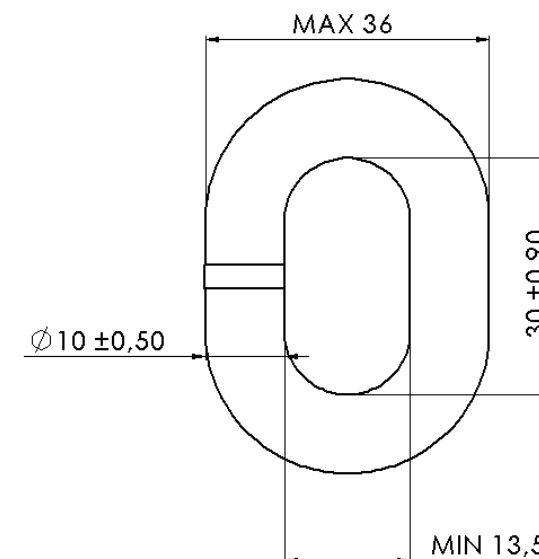
DDT: 1799

Date:04/12/2020

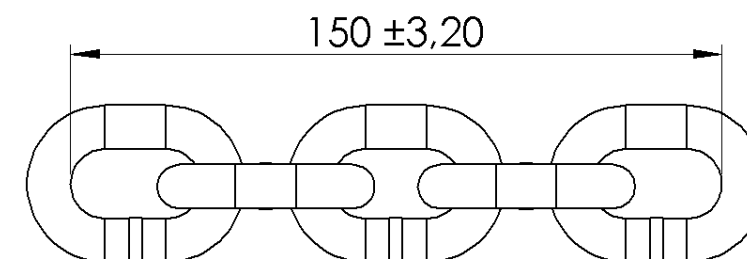
Measurement/Misura (mm)	10 x 30 x 36
Code/Codice	SZI5100A34XZFCT
Material/Materiale	A34L (FE37)
Grade/Grado	40
Standard/Norma	CAT.ISO 4565
Detected Breaking load /Carico di Rottura rilevato	63 kN
MF standard Proof load /Carico di Prova da tabella	32 kN
MF standard Working load /Carico di Lavoro da tabella	16 kN
Solid Zinc Galvanization Spacer thickness/Spessore (microns)	90±10μ

*\*Delivered products are in Compliance with the requirements of your order*

**ORIGIN OF GOODS: ITALY**



*Length over 5 Chain Links*



## CHEMICAL ANALYSIS

Method: Optical Emission Spectrometer

Material/Materiale: A34L (FE37)

Standard/Norma: ISO 16120-2

Dimension/Dimensione: 10 x 30 x 36

Analisi Chimica / Chemical Analysis %											
Ele.	C	Mn	Si	P	S	Cu	Cr	Mo	Al	Ti	Ni
%	0.060	0.50	0.14	0.011	0.022	0.17	0.09	0.036	0.005	0.001	0.12
Min		0.3									
Max	0.07	0.6	0.3	0.035	0.035	0.30	0.20	0.05	0.01	0.002	0.25

Caratteristiche Meccaniche / Mechanical Properties			
Snervamento / Yield Point N/mm <sup>2</sup>	Rottura / Tensile Strength N/mm <sup>2</sup>	Allungamento / Elongation A5%	Strizione / Striction Z%
	420	34	75

*QC Manager*