

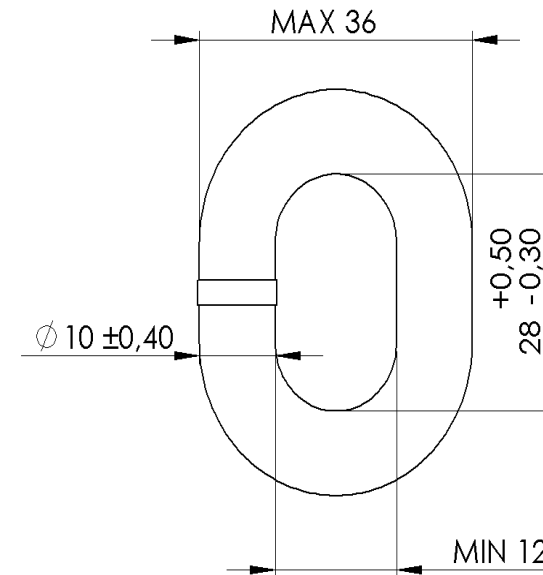
DICHIARAZIONE DI CONFORMITA' / DECLARATION OF COMPLIANCE -In Accordance to EN 10204, Type 3.1

Client – JIMMY GREEN MARINE LTD

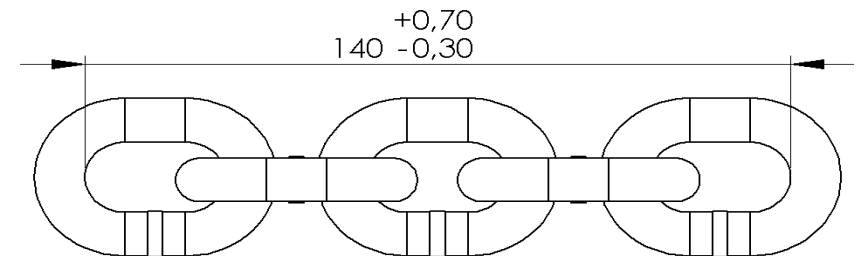
DDT:1799

Date: 04/12/2020

Measurement/Misura (mm)	10 x 28 x 36
Code/Codice	SZD6108A34XZFMA
Material/Materiale	A34L (FE37)
Grade/Grado	40
Standard/Norma	CAT.DIN 766
Detected Breaking load /Carico di Rottura rilevato	63 kN
MF standard Proof load /Carico di Prova da tabella	32 kN
MF standard Working load /Carico di Lavoro da tabella	16 kN
Solid Zinc Galvanization Spacer thickness/Spessore (microns)	90±10μ



Length over 5 Chain Links



**Delivered products are in Compliance with the requirements of your order*

ORIGIN OF GOODS: ITALY

CHEMICAL ANALYSIS

Method: Optical Emission Spectrometer

Material/Materiale: A34L (Fe37)

Standard/Norma: ISO 16120-2

Dimension/Dimensione: 10 x 28 x 36

Analisi Chimica / Chemical Analysis %											
Ele.	C	Mn	Si	P	S	Cu	Cr	Mo	Al	Ti	Ni
%	0.058	0.42	0.16	0.025	0.032	0.215	0.085	0.03	0.003	0.001	0.11
Min		0.3									
Max	0.07	0.6	0.3	0.035	0.035	0.30	0.20	0.05	0.01	0.002	0.25

Caratteristiche Meccaniche / Mechanical Properties			
Snervamento / Yield Point N/mm ²	Rottura / Tensile Strength N/mm ²	Allungamento / Elongation A5%	Strizione / Striction Z%
	420	38	78

QC Manager