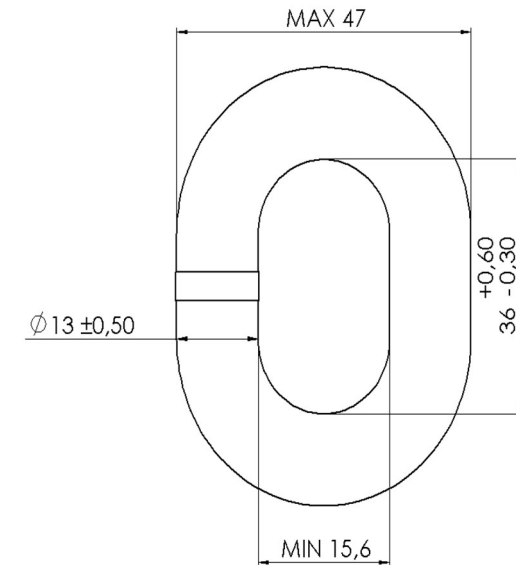


DICHIARAZIONE DI CONFORMITA' / DECLARATION OF COMPLIANCE -In Accordance to EN 10204, Type 3.1

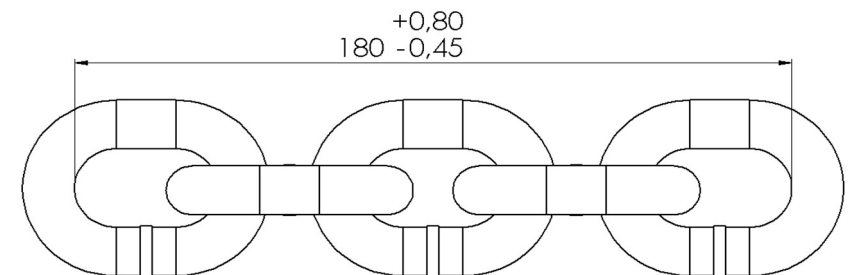
Client –

Date:

Measurement/Misura (mm)	13 x 36 x 47
Code/Codice	CTD6130A34XZFMA
Standard/Norma	CAT.DIN 766
Material/Materiale	A34L (Fe37)
Breaking Load/Carico di Rottura	106 kN
Test Load/Carico di prova	40 kN
Working Load/Carico di Lavoro	20 kN
Hot-Dip Galvanization/Zincata Fuoco <i>Spacer thickness/Spessore (microns)</i>	80±10μ



Length over 5 Chain Links



****Delivered products are in Compliance with the requirements of your order***

ORIGIN OF GOODS: ITALY

CHEMICAL ANALYSIS

Method: Optical Emission Spectrometer

Material/Materiale: A34L (Fe37)

Standard/Norma: ISO 16120-2

Dimension/Dimensione: 13 x 36 x 47

Analisi Chimica / Chemical Analysis %											
Ele.	C	Mn	Si	P	S	Cu	Cr	Mo	Al	Ti	Ni
%	0.07	0.43	0.17	0.004	0.011	0.16	0.082	0.037	0.008	0.001	0.09
Min		0.3									
Max	0.07	0.6	0.3	0.035	0.035	0.30	0.20	0.05	0.01	0.002	0.25

Caratteristiche Meccaniche / Mechanical Properties			
Snervamento / Yield Point N/mm ²	Rottura / Tensile Strength N/mm ²	Allungamento / Elongation A5%	Strizione / Striction Z%
	458	35	72