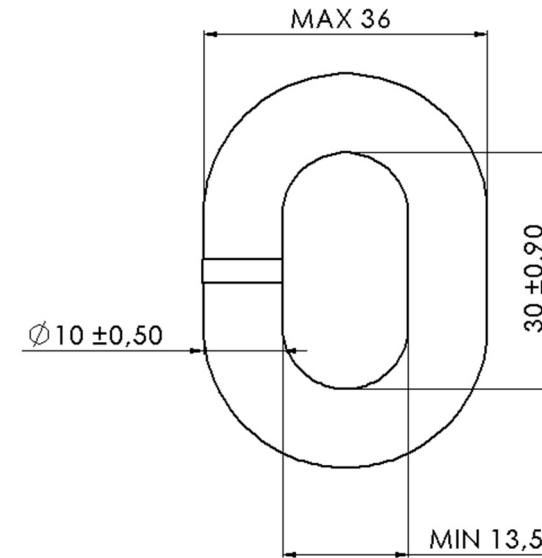


**DICHIARAZIONE DI CONFORMITA' / DECLARATION OF COMPLIANCE -In Accordance to EN 10204, Type 3.1**

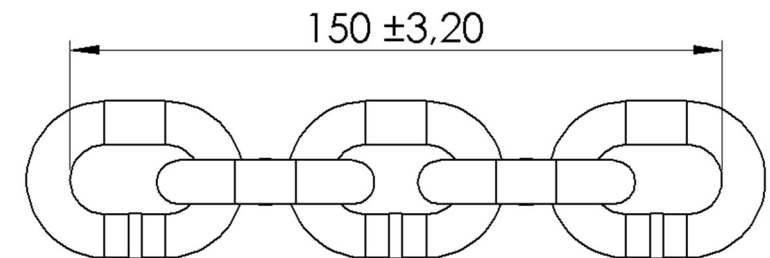
*Client – JIMMY GREEN MARINE*

*Date: 28/04/2020*

<b>Measurement/Misura (mm)</b>	10 x 30 x 36
<b>Code/Codice</b>	C7I5100C23BZFMA
<b>Material/Materiale</b>	23 MNB4
<b>Grade/Grado</b>	70
<b>Hardness/ Durezza (HV 0.3)</b>	410 – 440 (42 – 44 HRC)
<b>Breaking Load/Carico di Rottura</b>	110 kN
<b>Working Load/Carico di Lavoro</b>	22 kN
<b>Solid Zinc Galvanization Spacer thickness/Spessore (microns)</b>	90±10μ



*Length over 5 Chain Links*



*\*Delivered products are in Compliance with the requirements of your order*

**ORIGIN OF GOODS: ITALY**

## CHEMICAL ANALYSIS

Method: Optical Emission Spectrometer

Material/Materiale: 23 MNB4

Standard/Norma: EN 10263-4

Dimension/Dimensione: 10 x 30 x 36

Analisi Chimica / Chemical Analysis %											
Ele.	C	Mn	Si	P	S	Cu	Cr	Mo	Al	Ti	Ni
%	0.20	0.93	0.05	0.015	0.003	0.055	0.08	0.007	0.025	0.0025	0.043
Min	0.20	0.90							0.02	0.0008	0.03
Max	0.24	1.2	0.1	0.02	0.015	0.25	0.1	0.03	0.05	0.005	0.06

Caratteristiche Meccaniche / Mechanical Properties			
Snervamento / Yield Point N/mm <sup>2</sup>	Rottura / Tensile Strength N/mm <sup>2</sup>	Allungamento / Elongation A5%	Strizione / Striction Z%
	532		66

*QC Manager*