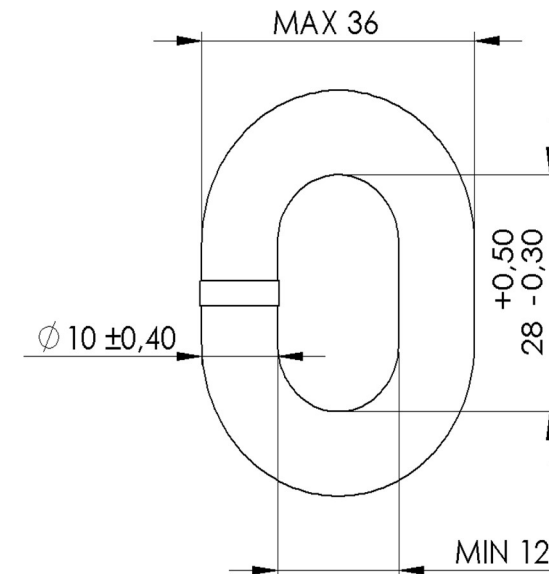


DICHIARAZIONE DI CONFORMITA' / DECLARATION OF COMPLIANCE -In Accordance to EN 10204, Type 3.1

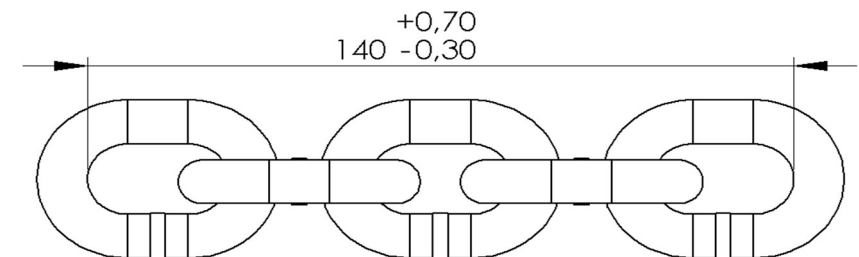
Client – JIMMY GREEN MARINE

Date: 28/04/2020

Measurement/Misura (mm)	10 x 28 x 36
Code/Codice	C7D6100C23BZFMA
Material/Materiale	23 MNB4
Grade/Grado	70
Hardness/ Durezza (HV 0.3)	410 – 440 (42 – 44 HRC)
Breaking Load/Carico di Rottura	110 kN
Working Load/Carico di Lavoro	22 kN
Solid Zinc Galvanization Spacer thickness/Spessore (microns)	90±10μ



Length over 5 Chain Links



**Delivered products are in Compliance with the requirements of your order*

ORIGIN OF GOODS: ITALY

CHEMICAL ANALYSIS

Method: Optical Emission Spectrometer

Material/Materiale: 23 MNB4

Standard/Norma: EN 10263-4

Dimension/Dimensione: 10 x 28 x 36

Analisi Chimica / Chemical Analysis %											
Ele.	C	Mn	Si	P	S	Cu	Cr	Mo	Al	Ti	Ni
%	0.20	0.93	0.05	0.015	0.003	0.055	0.08	0.007	0.025	0.0025	0.043
Min	0.20	0.90							0.02	0.0008	0.03
Max	0.24	1.2	0.1	0.02	0.015	0.25	0.1	0.03	0.05	0.005	0.06

Caratteristiche Meccaniche / Mechanical Properties			
Snervamento / Yield Point N/mm ²	Rottura / Tensile Strength N/mm ²	Allungamento / Elongation A5%	Strizione / Striction Z%
	532		66

QC Manager