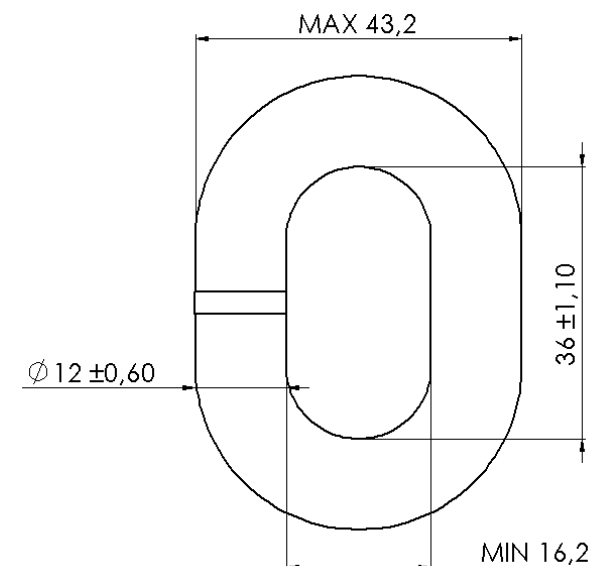


DICHIARAZIONE DI CONFORMITA' / DECLARATION OF COMPLIANCE -In Accordance to EN 10204, Type 3.1

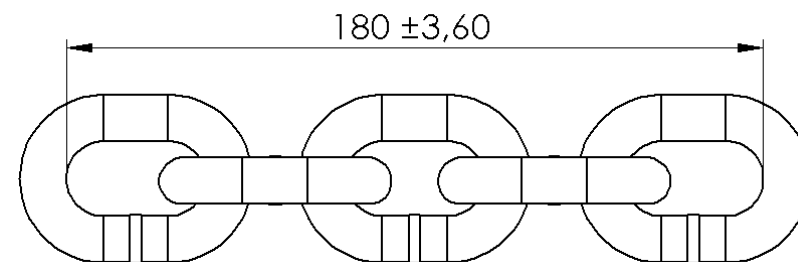
Client – JIMMY GREEN MARINE LTD

DDT: 932 Date : 06/08/2020

Measurement/Misura (mm)	12 x 36 x 43,2
Code/Codice	SZI5120A34XZFMA
Material/Materiale	A34L (FE37)
Grade/Grado	40
Dimensions reference norm/Norma per dimensioni	CAT.ISO 4565
Detected Breaking load /Carico di Rottura rilevato	90 Kn (Min)
MF standard Proof load /Carico di Prova da tabella	45 kN
MF standard Working load /Carico di Lavoro da tabella	22 kN
Solid zinc galvanization Spacer thickness/Spessore (microns)	90±10μ



Length over 5 Chain Links



**Delivered products are in Compliance with the requirements of your order*

ORIGIN OF GOODS: ITALY

CHEMICAL ANALYSIS

Method: Optical Emission Spectrometer

Material/Materiale: A34L (FE37)

Standard/Norma: ISO 16120-2

Dimension/Dimensione: 12 x 36 x 43,2

Analisi Chimica / Chemical Analysis %											
Ele.	C	Mn	Si	P	S	Cu	Cr	Mo	Al	Ti	Ni
%	0.052	0.44	0.16	0.008	0.021	0.24	0.10	0.038	0.005	0.001	0.18
Min		0.3									
Max	0.07	0.6	0.3	0.035	0.035	0.30	0.20	0.05	0.01	0.002	0.25

Caratteristiche Meccaniche / Mechanical Properties			
Snervamento / Yield Point N/mm ²	Rottura / Tensile Strength N/mm ²	Allungamento / Elongation A5%	Strizione / Striction Z%
	415	34	76

QC Manager