

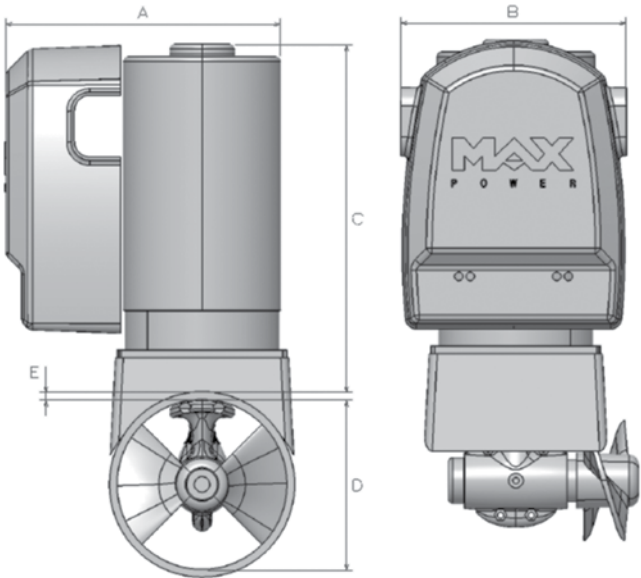
CT25 Product Code 636061*

CT 25 Specifications

Motor	1800W - 12V
Thrust (Kgf)	26-28
Number of Propellers	Single
Weight (kg)	7,5
Tunnel Diameter	Ø110mm
Application Range (ft / meters)	20-30fts 6-9m

CT25 Dimensions (mm)

A	180
B	145
C	225
D	110
E	4 to 5



Necessary Accessories

Touch Panel		
	Black	318200
	Grey	318201

Fuses		
	Fuse	35021
	Fuse Holder	35017

Joystick Simple		
	Black	318202
	Grey	318203

Electric Battery Isolator		
	12V	318400

Joystick Double**		
	Black	318204
	Grey	318205

Optional Equipment		
	GRP Tunnels	
	D110 x 4 x L750mm	636062
	D110 x 4 x L1000mm	636063

* Assembly with relay and control box included
 ** For installations as additional unit on boat with more than one thrusters