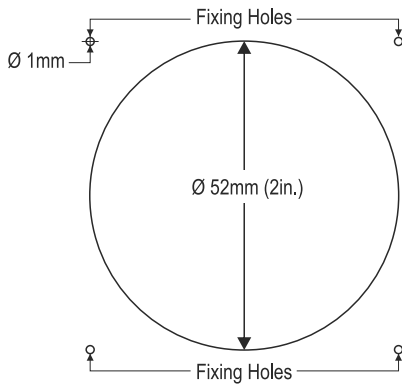
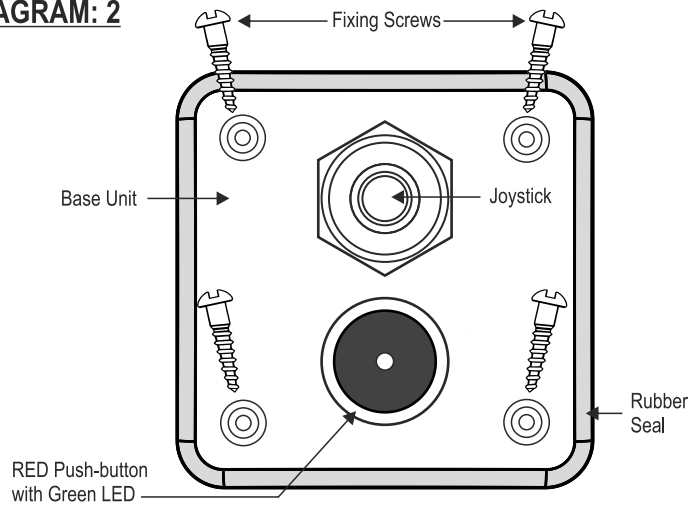


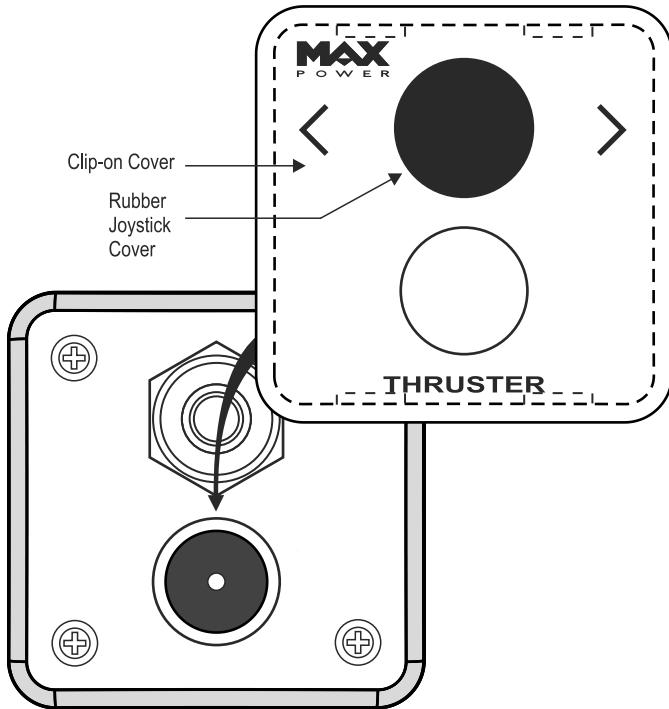
**DIAGRAM: 1**



**DIAGRAM: 2**



**DIAGRAM: 3**



### INSTALLATION GUIDELINES

**Diagram: 1**

- 1.1) Stick drilling template in desired mounting position.
- 1.2) Drill a 52 mm diameter hole using a holesaw.
- 1.3) Place panel in hole and mark the 4 fixing holes.
- 1.4) Remove panel then drill the four 1 mm diameter fixing holes.

**Diagram: 2**

- 2.1) Make sure that rubber seal is placed on the base column.
- 2.2) Wire and/or plug unit to the control circuit.
- 2.3) Position base so that the joystick is at the top and the "Red" button at the bottom.
- 2.4) Fix base unit with the four fixing screws as supplied with unit.

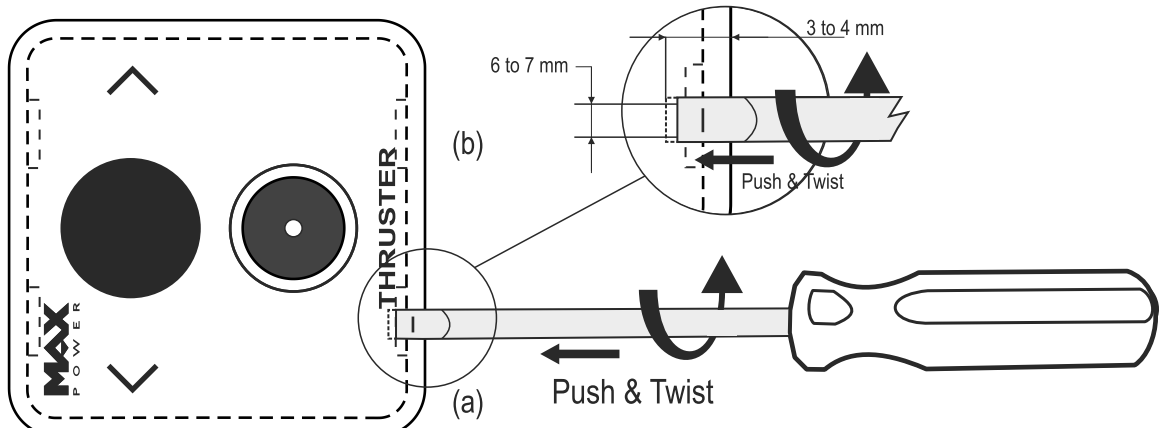
**Diagram: 3**

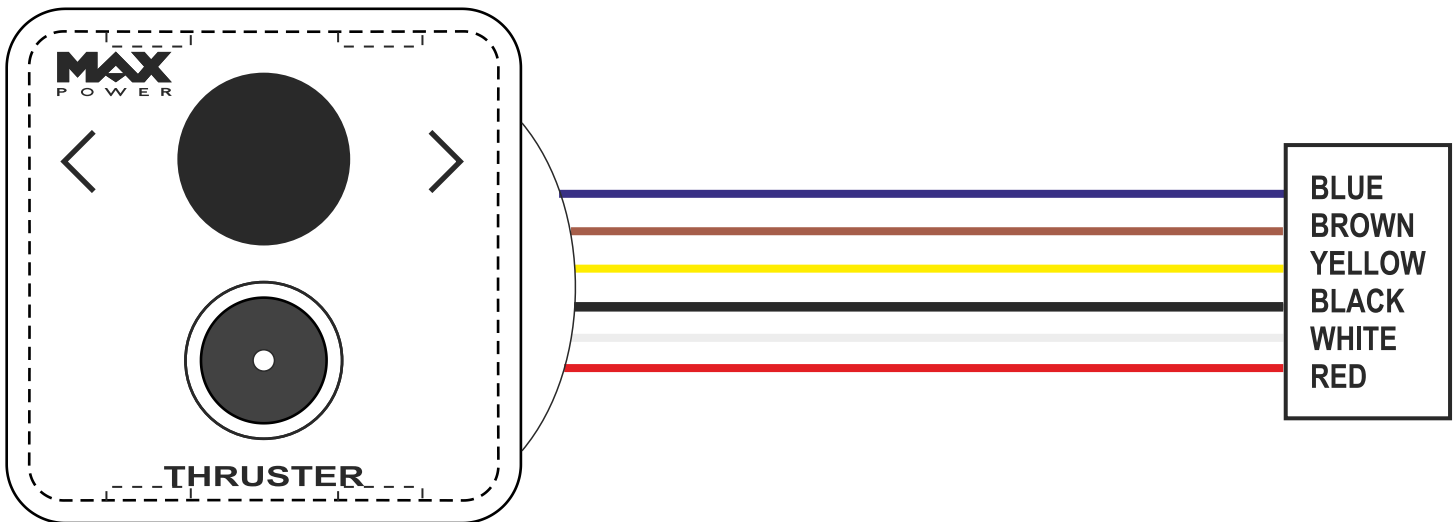
- 3.1) Only when totally finished and satisfied with wiring and positioning of the unit, clip-on the face panel/cover.
- 3.2) Leave rubber joystick cover inserted to clip-on cover when clipping cover into place and push down well once in place.

**Diagram: 4**

- 4.1) To remove the clip-on cover slide a flat headed screwdriver, with 6-7 mm wide tip, between the clip-on cover and the dashboard at position (a) and then (b) and twist the tip slightly. Push in the tip of the screwdriver at least 3 to 4 mm before twisting it.

**DIAGRAM: 4**





**6 ways male WAGO**

Cable	Operation
Blue	Left Position
Brown	Right Position
Yellow	Buzzer (-)
Black	Switch's LED - Button
White	Switch ON-OFF
Red	Power supply positive + Buzzer (+)