

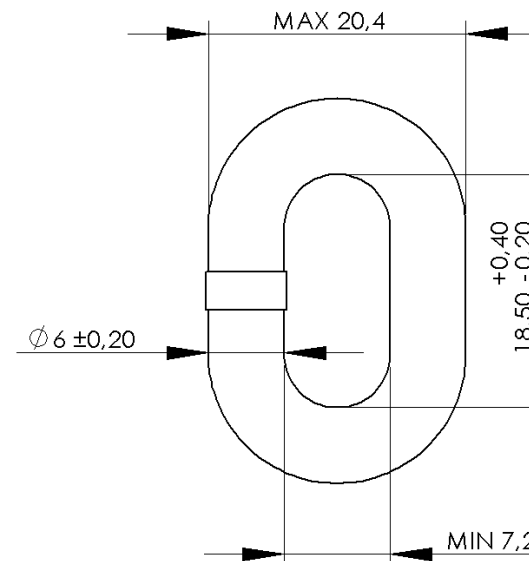
**DICHIARAZIONE DI CONFORMITA' / DECLARATION OF COMPLIANCE -In Accordance to EN 10204, Type 3.1**

Client – JIMMY GREEN MARINE LTD

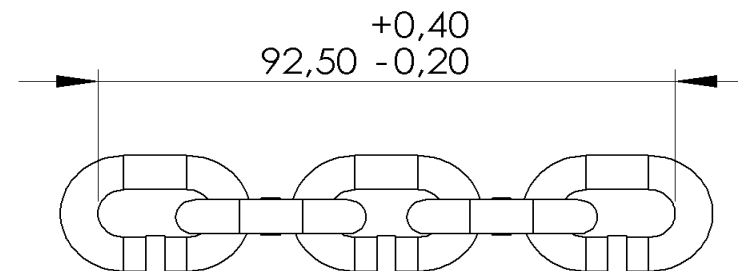
DDT: 1453

Date: 27/10/2021

Measurement/Misura (mm)	6 x 18,5 x 20,4
Code/Codice	SZD6060A34XZFCT
Material/Materiale	A34L (FE37)
Dimensions reference norm/Norma per dimensioni	CAT.DIN 766
Grade/Grado	40
Detected Breaking load /Carico di Rottura rilevato	22 kN
MF standard Proof load /Carico di Prova da tabella	11 kN
MF standard Working load /Carico di Lavoro da tabella	5 kN
Solid zinc galvanization Spacer thickness/Spessore (microns)	90±10μ



*Length over 5 Chain Links*



*\*Delivered products are in Compliance with the requirements of your order*

**ORIGIN OF GOODS: ITALY**

## *CHEMICAL ANALYSIS*

Method: Optical Emission Spectrometer

Material/Materiale: A34L (FE37)

Standard/Norma: ISO 16120-2

Dimension/Dimensione: 6 x 18,5 x 20,4

Analisi Chimica / Chemical Analysis %											
Ele.	C	Mn	Si	P	S	Cu	Cr	Mo	Al	Ti	Ni
%	0.07	0.44	0.15	0.012	0.021	0.22	0.09	0.04	0.01	0.001	0.118
Min		0.3									
Max	0.07	0.6	0.3	0.035	0.035	0.30	0.20	0.05	0.01	0.002	0.25

Caratteristiche Meccaniche / Mechanical Properties			
Snervamento / Yield Point N/mm <sup>2</sup>	Rottura / Tensile Strength N/mm <sup>2</sup>	Allungamento / Elongation A5%	Strizione / Striction Z%
	414	39	78

*QC Manager*