

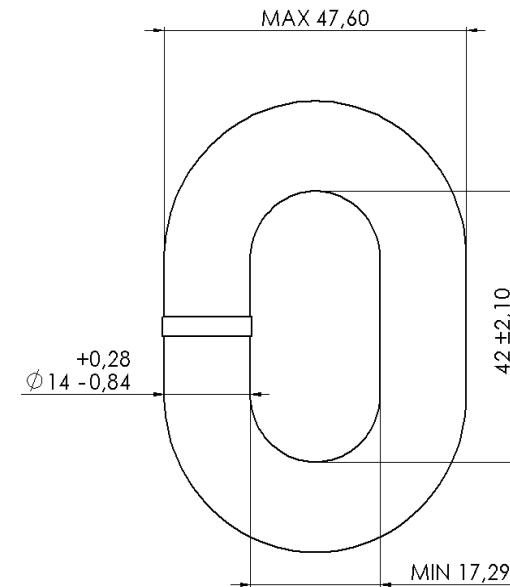
**DICHIARAZIONE DI CONFORMITA' / DECLARATION OF COMPLIANCE -In Accordance to EN 10204, Type 3.1**

*Client – Jimmy Green Marine Sample*

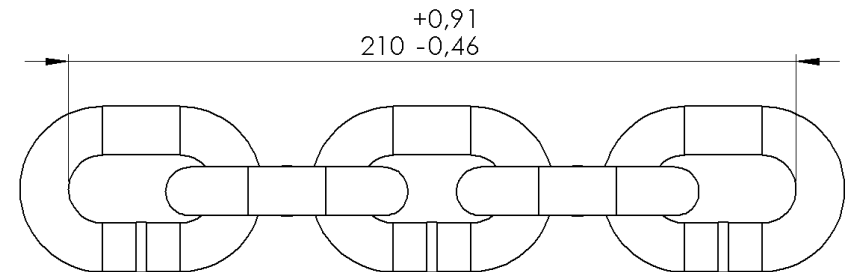
**DDT: 345**

**Date: 19/04/2021**

|   |                  |
|---|------------------|
| <b>Measurement/Misura (mm)</b>  | 14 x 42 x 49.09  |
| <b>Code/Codice</b>  | SZ111140A34XZFCT |
| <b>Material/Materiale</b>   | A34L (Fe37)      |
| <b>Grade/Grado</b>  | 40               |
| <b>Dimensions reference norm/Norma per dimensioni</b>                   | CAT.NF 26011 L   |
| <b>Detected Breaking load /Carico di Rottura rilevato</b>               | 123 kN (Min)     |
| <b>MF standard Proof load /Carico di Prova da tabella</b>               | 61 kN            |
| <b>MF standard Working load /Carico di Lavoro da tabella</b>            | 30 kN            |
| <b>Solid Zinc Galvanization<br/>Spacer thickness/Spessore (microns)</b> | 90 ± 10μ         |



**Length over 5 Chain Links**



*\*Delivered products are in Compliance with the requirements of your order*

**ORIGIN OF GOODS: ITALY**

## *CHEMICAL ANALYSIS*

Method: Optical Emission Spectrometer

Material/Materiale: A34L (Fe37)

Standard/Norma: ISO 16120-2

Dimension/Dimensione: 14 x 42 x 47,6

| Analisi Chimica / Chemical Analysis % |       |      |      |       |       |      |       |      |       |       |      |
|---------------------------------------|-------|------|------|-------|-------|------|-------|------|-------|-------|------|
| Ele.                                  | C     | Mn   | Si   | P     | S     | Cu   | Cr    | Mo   | Al    | Ti    | Ni   |
| %                                     | 0.068 | 0.44 | 0.15 | 0.007 | 0.010 | 0.16 | 0.085 | 0.04 | 0.003 | 0.001 | 0.13 |
| Min                                   |       | 0.3  |      |       |       |      |       |      |       |       |      |
| Max                                   | 0.07  | 0.6  | 0.3  | 0.035 | 0.035 | 0.30 | 0.20  | 0.05 | 0.01  | 0.002 | 0.25 |

| Caratteristiche Meccaniche / Mechanical Properties |  |                                     |                             |
|--|--|-------------------------------------|-----------------------------|
| Snervamento /<br>Yield Point<br>N/mm <sup>2</sup>  | Rottura / Tensile<br>Strength<br>N/mm <sup>2</sup> | Allungamento /<br>Elongation<br>A5% | Strizione / Striction<br>Z% |
| 315  | 418  | 38                                  | 77                          |

*QC Manager*