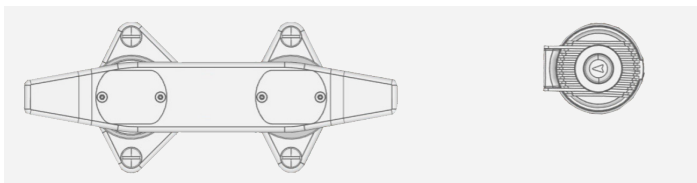
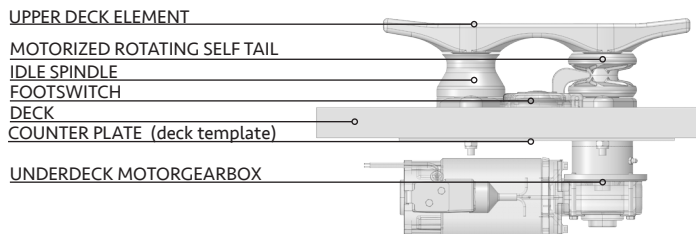


TDS Model B4A123H

The Self Tailing Cleat



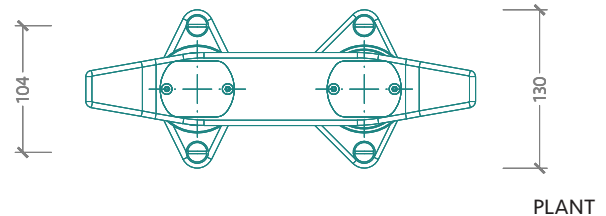
JOY is designed and realized in Stainless Steel AISI 316 L with particular attention in over dimensional protocol and attention to the sea side condition, it can be use for vessel from 50 to 70 feet. It is well utilized and installed in bow as in stern singularly or in couple.



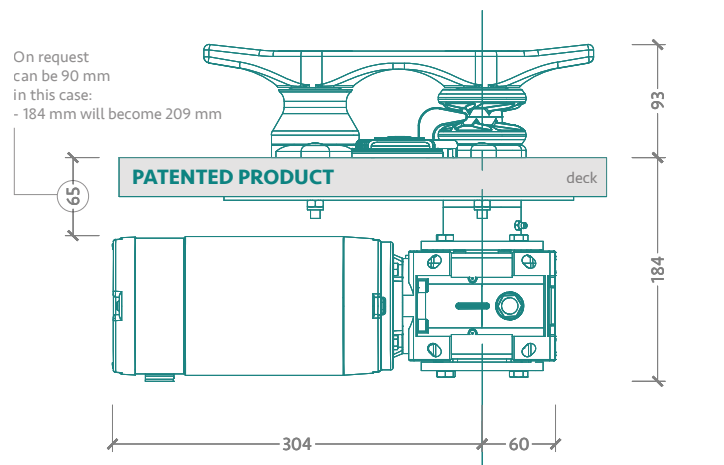
Model	B4A123H
Volt DC	12
Maximum Volt	14
Duty	S2 30 min
Output Cable mm2	6
A	57 F.F.:1
Watt	550
RPM to the slowdown shaft	60 rpm
Torsion to the slowing shaft	78 Nm
Max speed	4,7 m/min
Load in work on the reducer	3120 N - 318 kg
Maximum load on gearbox	6240 N-600-630kg*
Ins. Class	F
Protection	IP 44
Oil gerabox	Shell Omala S4WE
Maximum current absorbed	60 A
Weight tot. kg	23 kg
Singular comand deck switch	1
Material	AISI 316 L
Mooring Line seccion mm	20 - 32



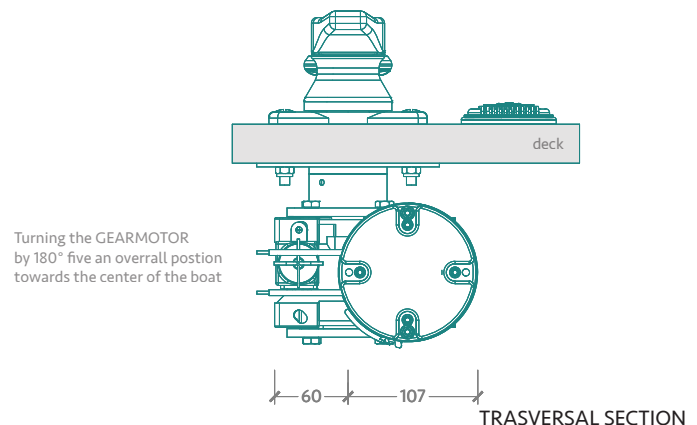
DIMENSIONS



PLANT



LONGITUDINAL SECTION



TRASVERSAL SECTION

TECHNICAL DATA