



ANKERPLEX®

KEEPING THE POSITION

HIGH PERFORMANCE FOLDING ANCHOR



The ANKERPLEX® difference:

You can find a great variety of models of anchors and also an elite group of competent and high-quality anchoring equipment, but a unit capable of **high performance, greater simplicity and competitive price** was missed, which you can now obtain because...

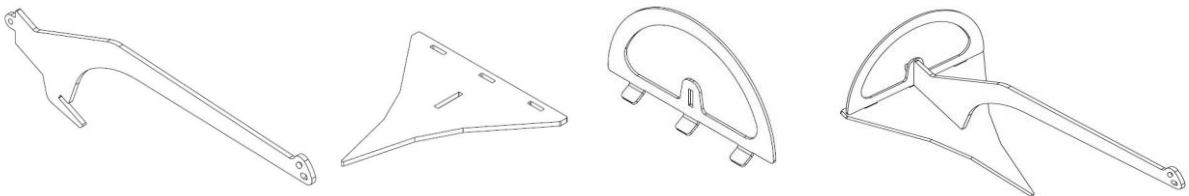
ANKERPLEX is a modern anchor with high holding power (HHP), with instant grip and great repositioning capacity when the wind or tide changes.

ANKERPLEX allows it to be stowed on board effectively, taking up little space thanks to its unique flat design, and at the same time **it can be deployed very quickly** when necessary.

ANKERPLEX can go from its stowage place to operational mode in record time, **without the intervention of any tool, through simple and error-free manual assembly.**

ANKERPLEX is the anchor made with the least manipulation on the market. It is manufactured from sheet metal and **without welding or fixing screws**, to obtain maximum safety and a competitive price.

ANKERPLEX consists of three top-quality standardized flat sheet metal pieces designed in such a way that with a simple coupling between them, and its securing with a shackle arranged at the end, the assembly is quickly constituted in a solid and self-contained three-dimensional unit, fully effective in terms of positioning, speed of penetration into the seabed, holding capacity and repositioning in trajectory changes.



ANKERPLEX is ideal as a main anchor or as a second unit, either as an Auxiliary Anchor (Kedge Anchor), Storm Anchor, or as a Spare Anchor, since its usefulness on board is unquestionable.

TECHNICAL FEATURES:

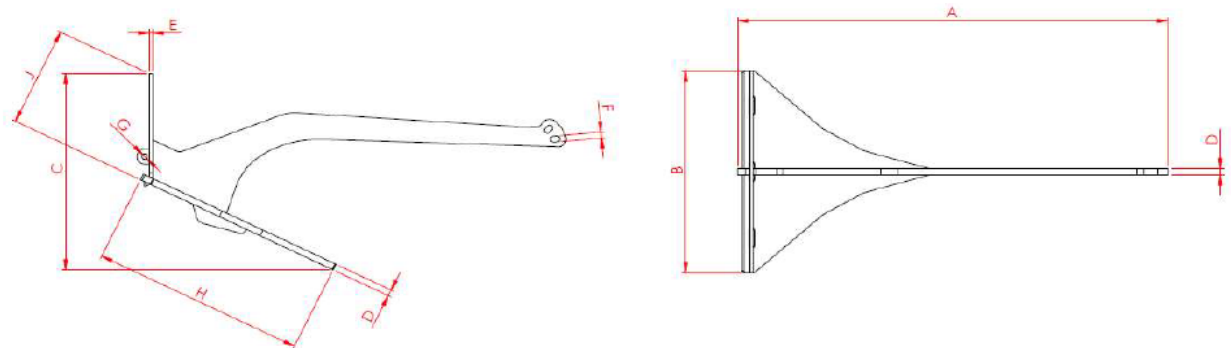
Ankerplex is manufactured and marketed in **seven different sizes** to meet the anchor needs of all types of boats: from kayaks or small boats, to sailboats and yachts over twenty tons. The manufacture is carried out from standard sheets, by means of high-precision robotic cutting and with a very simple surface finish carried out by mechanical means. No welding or folding process is involved in the manufacture of the Ankerplex anchor, which guarantees that its characteristics remain unchanged for life.

Ankerplex is supplied in **STAINLESS STEEL and ALUMINUM** versions to meet your specific needs: For the STEEL models, **INOX AISI 304** is specified, which comfortably satisfies the resistance requirements required in saline environments. Its finish and durability far exceeds galvanized anchors, while at the same time it allows a high precision cut in all its dimensions.

The ALUMINUM models are made using **Al-Mg MARINE GRADE PLATE AL5083 and AL5754** to obtain adequate mechanical resistance, lightness and durability with a simple finish, ideal for use as auxiliary anchors for occasional or intermittent use, as gear for racing boats, seaplanes,... .. or any use where the low weight is an added value.


Ankerplex's manufacturing processes are carried out with the most advanced technology using high-precision robotic systems in a factory with quality and environmental certificates: ISO 9001 and ISO EN 14001.


All Ankerplex production and its quality is examined and controlled unit by unit by expert personnel.



MODELO	MATERIAL	MASA (KG)	SUPERFICIE (MM)	GRILLETE	A (MM)	B (MM)	C (MM)	D (MM)	E (MM)	F (MM)	G (MM)	H (MM)	J (MM)
AKP1ST	ACERO INOXIDABLE	1,3	16600	∅4	414	199	195	5	3	6	5,5	207	97
AKP4ST	ACERO INOXIDABLE	4,4	35000	∅6	595	291	281	8	4	8,5	8	297	142
AKP4AL	ALUMINIO	1,5	35000										
AKP6ST	ACERO INOXIDABLE	6,9	43200	∅6	661	325	315	10	5	9,5	9	330	159
AKP6AL	ALUMINIO	2,3	43200										
AKP9ST	ACERO INOXIDABLE	9,9	62300	∅8	793	389	396	10	5	11	10,5	396	189
AKP9AL	ALUMINIO	4,0	62300					12					
AKP14ST	ACERO INOXIDABLE	14,4	75300	∅8	874	428	412	12	6	12,5	12	436	209
AKP14AL	ALUMINIO	6,1	75300					15					
AKP17ST	ACERO INOXIDABLE	17,2	89700	∅8	952	467	450	12	6	13,5	13	471	227
AKP17AL	ALUMINIO	7,2	89700					15					
AKP23ST	ACERO INOXIDABLE	23,8	98500	∅12	1000	491	481	15	8	14	13,5	500	240
AKP23AL	ALUMINIO	10,6	98500					20					

MODEL	MATERIAL	WEIGHT (KG)	SURFACE (MM)	DINGHY KAYAK	5M 16'	6M 20'	7M 23'	8M 26'	9M 30'	10M 33'	11M 36'	12M 39'	13M 42'	14M 46'	15M 50'
AKP1ST	STAINLESS STEEL	1,3	16600	•••	•										
AKP4ST	STAINLESS STEEL	4,4	35000		•••	••									
AKP4AL	ALUMINIUM	1,5	35000		•••	••									
AKP6ST	STAINLESS STEEL	6,9	43200			•••	•••	••							
AKP6AL	ALUMINIUM	2,3	43200		XXX	•••	•••	••							
AKP9ST	STAINLESS STEEL	9,9	62300					•••	•••	••					
AKP9AL	ALUMINIUM	4,0	62300			XXX	XXX	•••	•••	••					
AKP14ST	STAINLESS STEEL	14,4	75900							•••	•••	••			
AKP14AL	ALUMINIUM	6,1	75900					XXX	XXX	•••	•••	••			
AKP17ST	STAINLESS STEEL	17,2	89700									•••	•••	••	
AKP17AL	ALUMINIUM	7,2	89700							XXX	XXX	•••	•••	••	
AKP23ST	STAINLESS STEEL	23,8	98500											•••	••
AKP23AL	ALUMINIUM	10,6	98500									XXX	XXX	•••	••

•	ENOUGH SIZE IN GOOD WEATHER CONDITIONS (DAY)	
••	RIGHT SIZE FOR NORMAL CONDITIONS	
•••	RECOMMENDED SIZE - GENERAL USE IN ALL TYPES OF CONDITIONS	
XXX	RECOMMENDED SIZE AS A LIGHT RESERVE ANCHOR (KEDGE)	

AS A STORM ANCHOR IT IS SUGGESTED THE SIZE HIGHER THAN THE RECOMMENDED ••• 

ANKERPLEX® ACCESSORIES

Transport and stowage bag: You can stow or transport your folded Ankerplex in a comfortable and resistant synthetic bag of the appropriate size for each model. Ideal complement to your Ankerplex.

Available in three sizes:

Ref. AB1: For AKP1

Ref. AB2: For AKP4, AKP6 and AKP9

Ref. AB3: For AKP14, AKP17 and AKP23



Anchoring line "Ankerplex Flat Line": For smaller boats (dinghies, kayaks, auxiliary boats, jet skis...) made of 15 mm flat PES polyester tape with a high load capacity (breaking capacity over 600 kg), and resistance to sun and marine environment. Length 25 meters + 3 meters of 4 mm galvanized chain, with a very useful winding reel and numerical indication of the amount of tape deployed. Because it is a flat tape, it can be rolled up very easily, occupying very little volume. The AFL25 is supplied in fluor orange, making it easy to see. Ideal complement to your Ankerplex.

Ref. AFL25 – Anchor line



WARRANTY

The Ankerplex anchor is manufactured with a rigorous quality control process from selected materials, and is also checked by specialists on a unit-by-unit basis. However, during a period of 5 years from the date of acquisition, the manufacturer will be responsible for the replacement of the unit or any of its components in the event of any defect that is attributable to a failure or deficiency of the materials used, or its manufacturing process

INTERNATIONAL TRADE MARK "ANKERPLEX"
 INTERNATIONAL PATENT PENDING : U202231094
 MADE IN SPAIN – EU

DISTRIBUTOR:

CONTACT:
 ANKERPLEX
 FRAN CRISTOS MARINE
 C/Zamora 51 – bajo
 36203 VIGO
 (SPAIN)
 Telf. : (34) 986470077
 info@ankerplex.eu
 www.ankerplex.eu