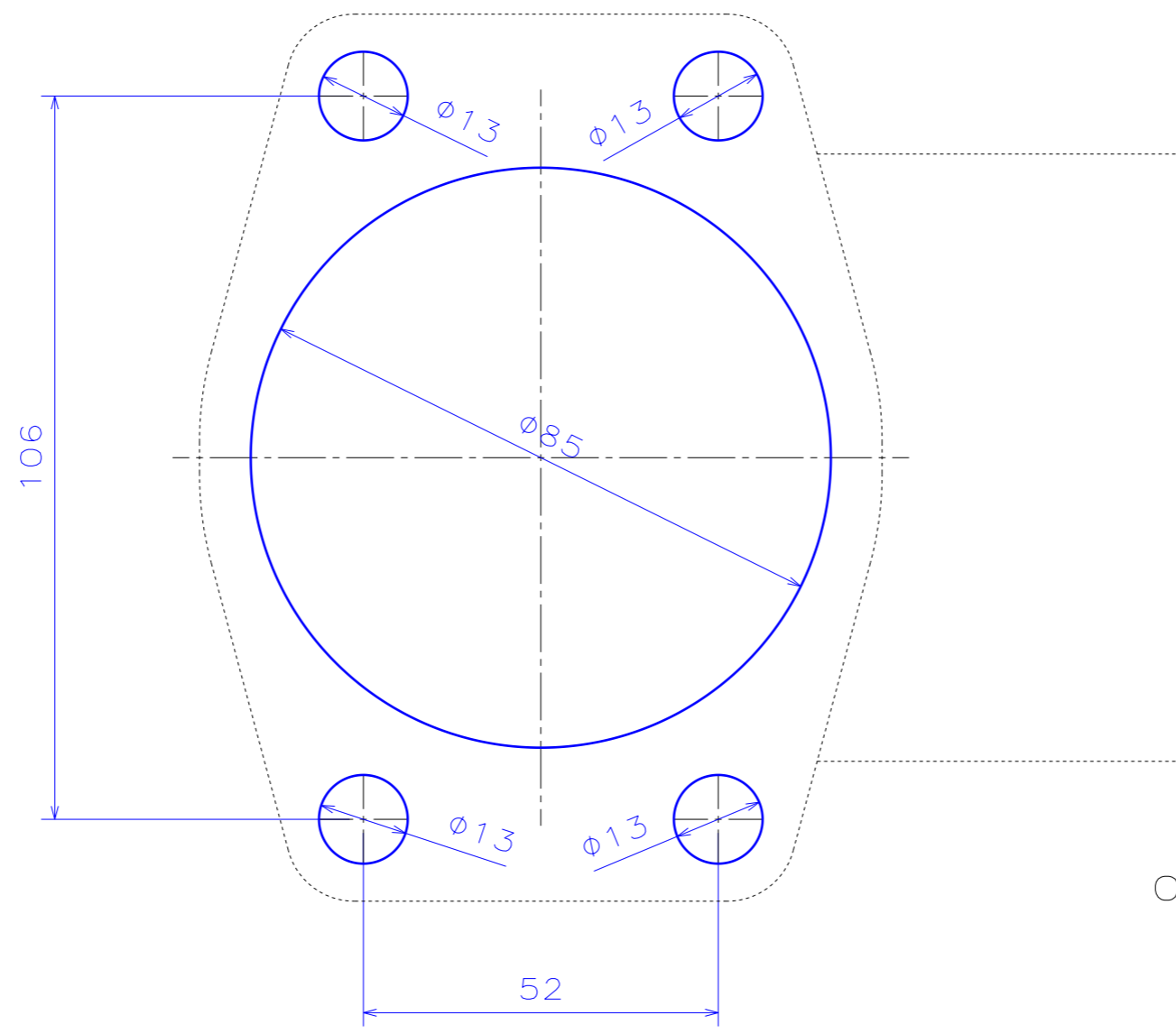
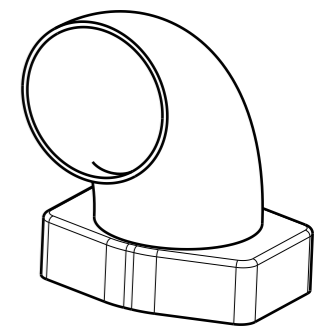
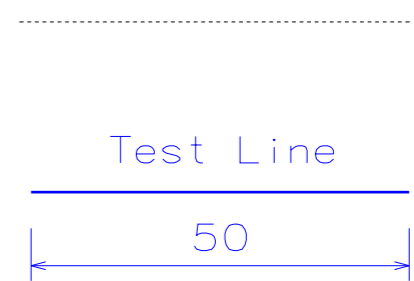


Drill Template [A3 Paper Size]
Scale: 1:1

Isometric view
Scale: 1:4



Overall Chain Pipe Contour over deck



Cut out on deck blue lines marked with blue dimensions

		This drawing is our property and it is confidential. It cannot be reproduced or communicated without our written agreement. General dimension - Class or allowances UNI EN 22768 - m The piece must be free from sharp edges and shocks			
PRODUCT FAMILY SX5		Drilling Template for LOFRANS' Chain Pipe for SX5 [636314]			
SAP CODE-PART NUMBER	DRAWING FILENAME	DESIGN DRAFTING BY	George Tzortzopoulos	DATE	23/10/2019
MATERIAL AISI 316	TREATMENT XXX	CHECK APPROVAL BY	--	DATE	
WEIGHT kg	REVISION XXX	EXPLO.NR XXX	SCALE 1:1	SIZE A3	SHEET 1/1