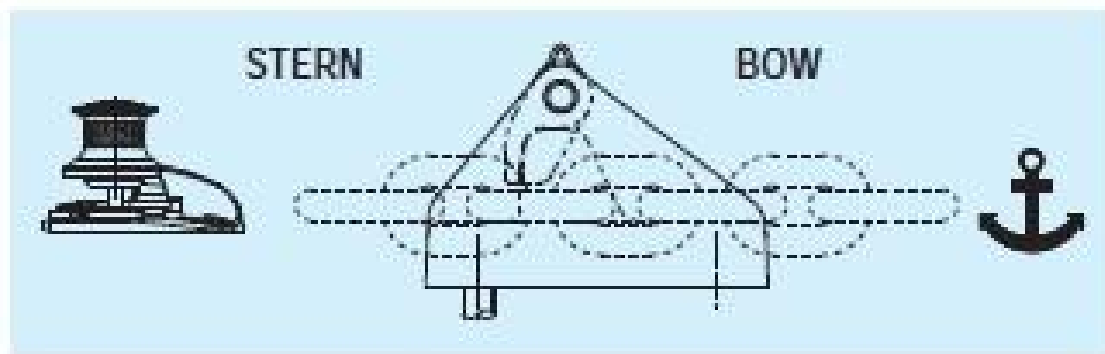
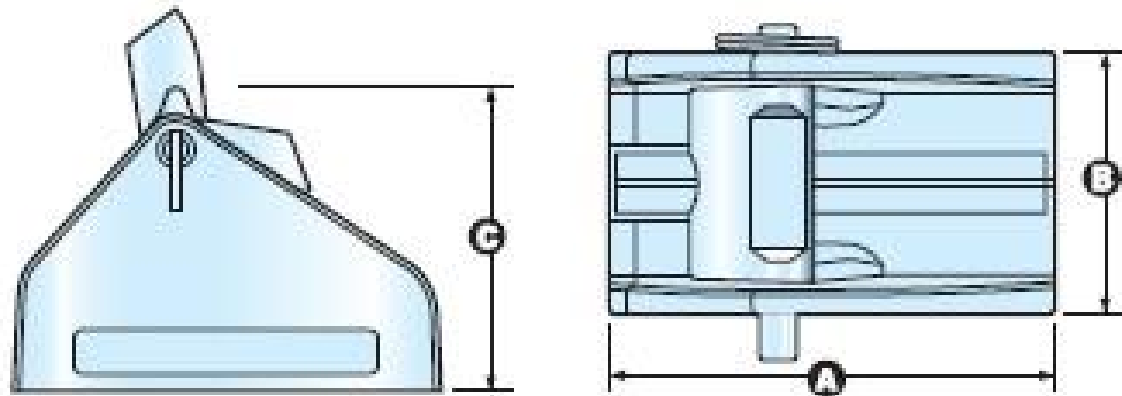


Aquafax Data Sheet



CHAIN STOPPER SPECIFICATIONS

Part No.	Chain Size		A		B		C	
	mm	in	mm	in	mm	in	mm	in
L66840077	8	$\frac{3}{16}$	110	$4\frac{3}{16}$	65	$2\frac{1}{2}$	79	$3\frac{1}{8}$
L66840079	10	$\frac{3}{8}$	110	$4\frac{3}{16}$	65	$2\frac{1}{2}$	79	$3\frac{1}{8}$
L66840080	12-13	$\frac{1}{2}$	148	$5\frac{7}{8}$	88	$3\frac{1}{2}$	101	4
L66840081	13-14	$\frac{5}{8}$	160	$6\frac{3}{16}$	100	$3\frac{9}{16}$	106	$4\frac{1}{8}$

Part No.s in red = TO ORDER